



**75% OF OUR EMOTIONS ARE GENERATED BY SMELL**

Enhance your Customers' Experience, Promote Sales

#### CUSTOMER EXPERIENCE

- Neutralize and counteract unwanted odors in restrooms, damp areas, and trash areas with **Odourfoyl™-Odor Neutralizer**.
- Create a pleasing aromatic environment with our crisp, clean "**Spring Rain**" scent in your customer areas.
- Other Scents Available

#### PROMOTE SALES

- Perk up your Coffee Sales with "**Fresh Roasted Coffee**" Scent Cartridge
- Entice your customers' appetite with our "**Cinnamon Apple Pie**" Scent Cartridge
- The Journal of Marketing has documented that scents can influence purchasing behavior... making a purchase and returning to an establishment

Create a Pleasant Sensory Experience in Your Establishment



# SCENT CARTRIDGE

Part # SCH6000

## SCENT CARTRIDGE INSTALLATION INSTRUCTIONS

1. Temporarily Remove Safety Cone
2. Install Scent Cartridge As Shown in Fig.1
3. Replace Safety Cone

*(Under normal usage, the Scent Cartridge will last up to 30 days)*

**NOTE: DO NOT USE HURRICONE WITHOUT  
SAFETY CONE ATTACHED**

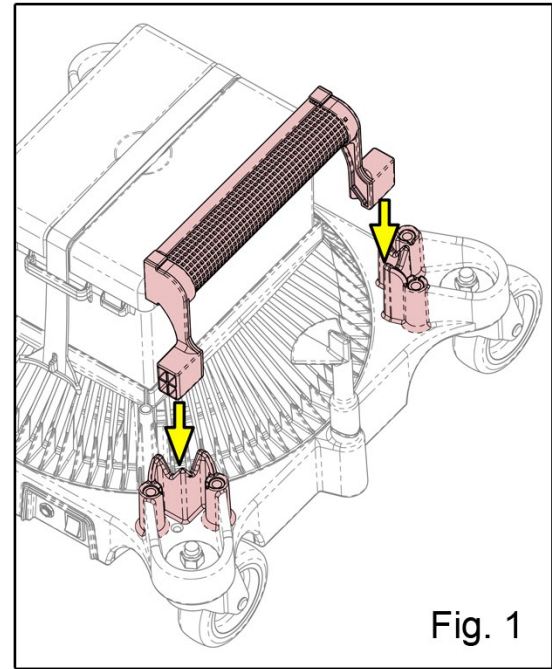


Fig. 1

**DO NOT EAT / DO NOT OPEN OR ATTEMPT TO REFILL  
KEEP OUT OF REACH OF CHILDREN**

To order replacement Scent Cartridges contact your **Distributor** or **Beach Sales and Engineering LLC**  
**419-525-1010**  
**www.hurricane.com**